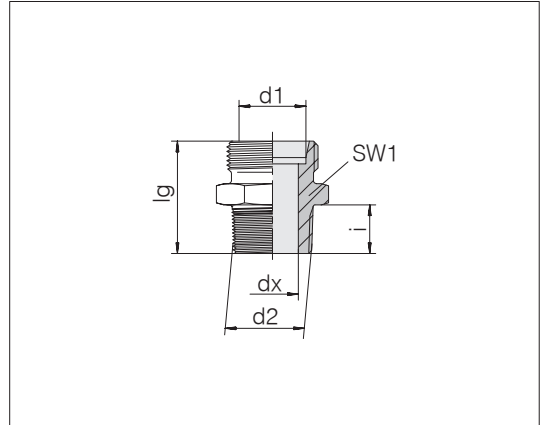


# Male stud connectors

Male thread: Metric fine thread, tapered  
 Threaded stud: DIN 3852-1 Form C  
 Sealing type: Tapered thread  
 Sealing material: e.g. PTFE sealing tape

Tube coupling: 24° in acc. with ISO 8434-1



Series	d2	Pressure	dx	lg	SW1	i	kg/100 ca.	Order-No.	Designation
Tube OD d1									
LL 4	M 6 x 1 keg	PN 100	2	20	9	6	0.6	0701012000	24-SDS-LL4-M6T
LL 4	M 8 x 1 keg	PN 100	3	20	10	6	0.6	0701002000	24-SDS-LL4-M8T <sup>1)</sup>
LL 4	M 10 x 1 keg	PN 100	3	20	11	6	0.8	0701022000	24-SDS-LL4-M10T
LL 5	M 8 x 1 keg	PN 100	3.5	20	11	6	0.6	0701052000	24-SDS-LL5-M8T <sup>1)</sup>
LL 6	M 6 x 1 keg	PN 100	2.5	20	11	6	0.6	0701982000	24-SDS-LL6-M6T
LL 6	M 8 x 1 keg	PN 100	4.5	20	11	6	0.6	0701112000	24-SDS-LL6-M8T
LL 6	M 10 x 1 keg	PN 100	4.5	20	11	6	0.8	0701102000	24-SDS-LL6-M10T <sup>1)</sup>
LL 8	M 10 x 1 keg	PN 100	6	22	12	6	1.0	0701152000	24-SDS-LL8-M10T <sup>1)</sup>
L 6	M 10 x 1 keg	PN 315	4	22	14	6	1.3	0702002000	24-SDS-L6-M10T <sup>1)</sup>
L 8	M 10 x 1 keg	PN 315	4	23	17	6	2.0	0702072000	24-SDS-L8-M10T
L 8	M 12 x 1.5 keg	PN 315	6	27	17	9	2.1	0702052000	24-SDS-L8-M12T <sup>1)</sup>
L 10	M 14 x 1.5 keg	PN 315	7	28	17	9	2.5	0702102000	24-SDS-L10-M14T <sup>1)</sup>
L 12	M 16 x 1.5 keg	PN 315	9	29	19	9	3.2	0702152000	24-SDS-L12-M16T <sup>1)</sup>
L 15	M 18 x 1.5 keg	PN 315	11	30	24	9	4.7	0702202000	24-SDS-L15-M18T <sup>1)</sup>
L 18	M 22 x 1.5 keg	PN 315	14	33	27	11	6.8	0702252000	24-SDS-L18-M22T <sup>1)</sup>
L 18	M 24 x 1.5 keg	PN 315	15	35	27	13	7.7	0702262000	24-SDS-L18-M24T
S 6	M 12 x 1.5 keg	PB 630	4	30	17	9	2.8	0702502000	24-SDS-S6-M12T <sup>1)</sup>
S 8	M 14 x 1.5 keg	PB 630	5	32	17	9	3.7	0702552000	24-SDS-S8-M14T <sup>1)</sup>
S 10	M 16 x 1.5 keg	PB 630	7	32	19	9	4.3	0702602000	24-SDS-S10-M16T <sup>1)</sup>
S 12	M 18 x 1.5 keg	PB 630	8	34	22	9	6.0	0702652000	24-SDS-S12-M18T <sup>1)</sup>
S 14	M 20 x 1.5 keg	PB 630	101	38	27	11	8.7	0702702000	24-SDS-S14-M20T <sup>1)</sup>
S 16	M 22 x 1.5 keg	PB 400	12	38	27	11	9.0	0702752000	24-SDS-S16-M22T <sup>1)</sup>

<sup>1)</sup> Standard size

Threaded stud in acc. with DIN 3852-1 Form C are approved for use for gas supply in accordance with DIN 3387-1.

Operating pressure PB 630 only applies if holes with female conical threads are available.

Example for comp. :  
 GE06LMkegX  
 DIN 2353-AL6-St

